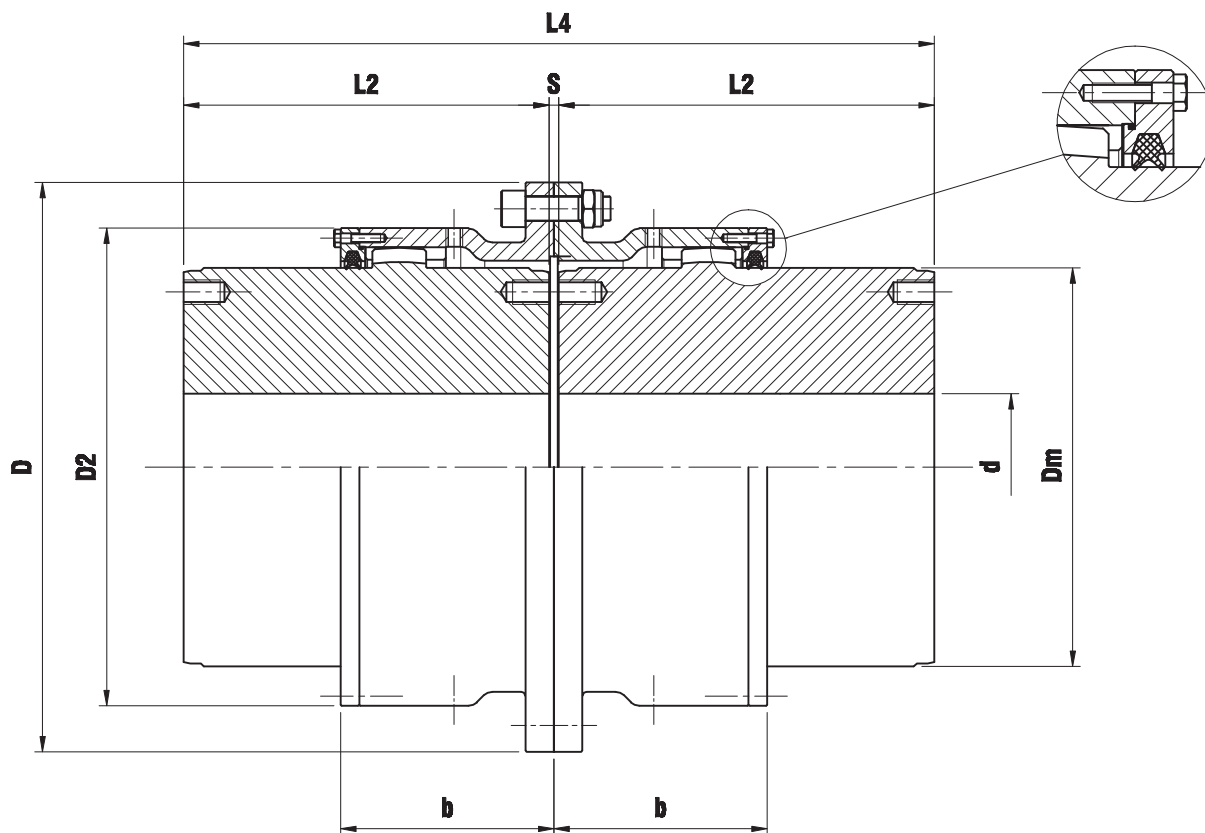


ZA2P series

Two oscillating hubs, both extended and open bells



TYPE	TECHNICAL DATA					DIMENSIONS (mm)								WEIGHT (Kg)
	$\frac{N}{n} = \frac{\text{kW}}{\text{rpm}}$	Torque (kNm)		Max Speed (rpm)	PD ² (Kgm. ²)	d max.	D	D2	Dm	L4	L2	b	S	
		Nominal	Peak											
ZA - 580	28,60	273	546	1150	99	325	580	506	400	712	350	221	12	890
ZA - 630	39,80	380	760	1000	161,7	370	630	556	450	772	380	245	12	1200
ZA - 700	51,30	490	980	910	252	400	700	606	490	832	410	262	12	1550
ZA - 760	68,60	655	1310	830	398,6	430	760	666	550	892	440	280	12	2030
ZA - 825	86,90	830	1660	700	618	475	825	730	610	952	470	292	12	2620
ZA - 885	102,40	978	1956	650	856,5	510	885	770	650	1040	510	315	20	3200
ZA - 935	123,50	1180	2360	620	1116	530	935	820	680	1090	535	327	20	3730
ZA - 1010	160,80	1536	3072	560	1694	580	1010	900	750	1160	570	346	20	4760
ZA - 1085	187,70	1793	3586	530	2267	610	1085	950	790	1230	600	385	30	4630
ZA - 1185	259,70	2480	4960	480	3566	680	1185	1050	870	1310	640	414	30	7300
ZA - 1340	365,20	3488	6976	420	6518	780	1340	1190	1000	1390	680	460	30	10200
ZA - 1440	459,40	4387	8774	390	9766	860	1440	1290	1100	1480	720	507	40	12900
ZA - 1575	612,50	5850	11170	315	15583	950	1575	1430	1220	1580	770	568	40	16880
ZA - 1705	742,80	7094	14188	290	21956	1020	1705	1530	1310	1680	820	602	40	20670
ZA - 1805	879,60	8400	16800	270	29904	1090	1805	1630	1400	1780	870	635	40	24870
ZA - 1935	1069,70	10474	20948	250	43154	1180	1935	1760	1520	1880	920	680	40	30770

Weights and PD² are calculated considering hubs without bore.