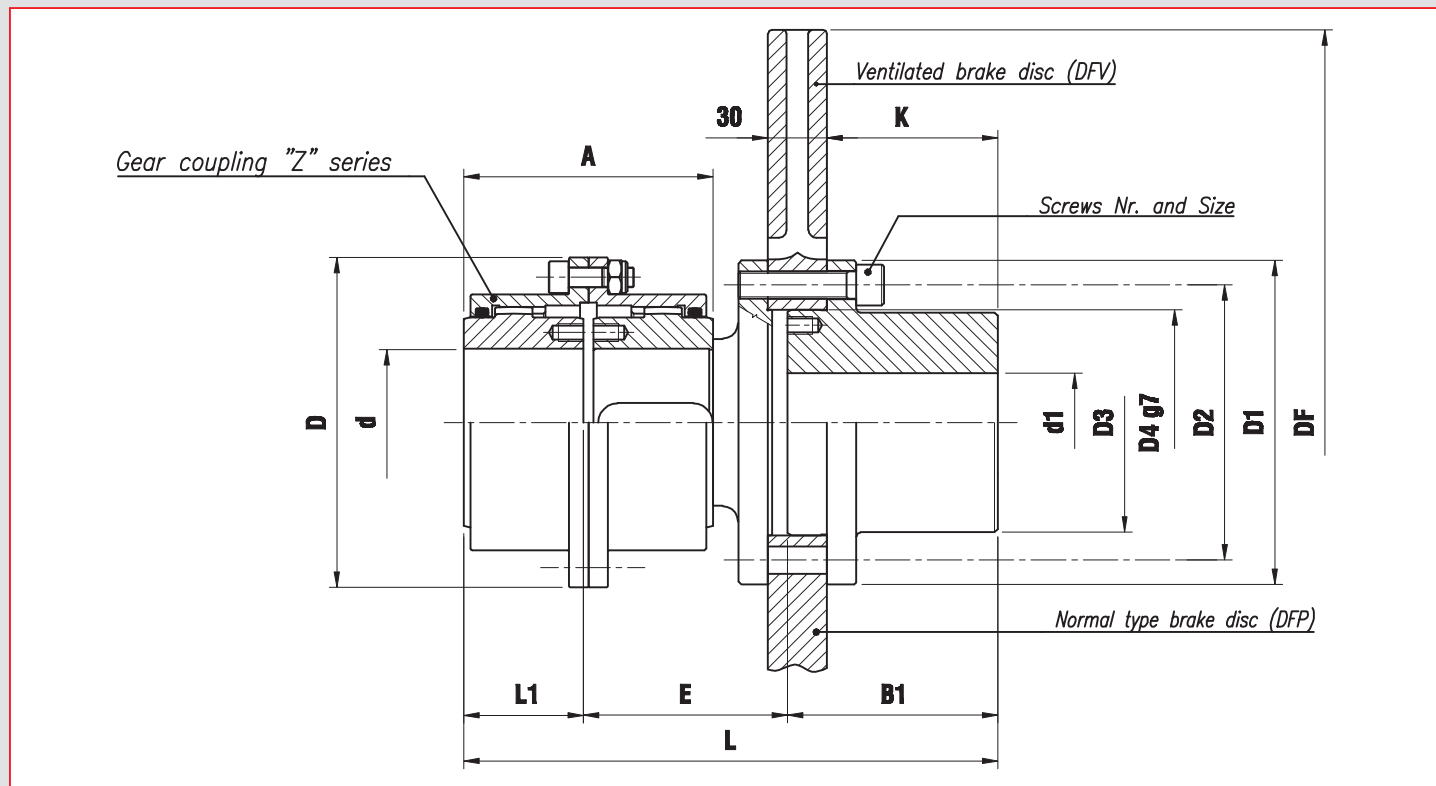


## ZADF30 series

Two oscillating hubs and brake disc shaft, thickness 30



TYPE	TECHNICAL DATA			DIMENSIONS (mm)																
	$\frac{N}{n} = \frac{kW}{rpm}$	Torque (kNm)		Max Speed (rpm)	d max.	d1 max.	D	DF	D1	D2	D3	D4 g7	A	L1	E	B1	L	K	Screw Nr.	Size
ZADF30-142D315	0,30	2,85	6,27	3000	60	55	142	315	124	105	82	85	103	50	103	107	260	87	9	M10
ZADF30-142D355				2680		70		355	145	125	110	105								M12
ZADF30-142D395				2420		75		395	165	140	115	115								M14
ZADF30-142D445				2150		75		445	175	146	112	120								M16
ZADF30-168D395	0,59	5,6	12,32	2420	75	75	168	395	165	140	112	115	127	62	103	107	272	87	9	M14
ZADF30-168D445				2150		75		445	175	146	112	120								M16
ZADF30-168D495				1950		110		495	218	190	155	160								M18
ZADF30-168D550				1760		110		550	218	190	155	160								M18
ZADF30-200D445	0,93	8,8	19,36	2150	95	75	200	445	175	146	112	120	157	76	128	140	344	120	12	M16
ZADF30-200D495				1950		110		495	218	190	155	160								M18
ZADF30-200D550				1760		110		550	218	190	155	160								M18
ZADF30-200D625				1550		120		625	238	205	168	170								M20
ZADF30-225D495	1,50	14,3	31,46	1950	110	110	225	495	218	190	155	160	185	90	160	140	390	120	12	M18
ZADF30-225D550				1760		110		550	218	190	155	160								M18
ZADF30-225D625				1550		120		625	238	205	168	170								M20
ZADF30-225D705				1360		135		705	268	230	190	195								M22
ZADF30-265D625	2,41	23	50,6	1550	130	120	265	625	238	205	168	170	216	105	175	140	420	120	12	M20
ZADF30-265D705				1360		135		705	268	230	190	195								M22
ZADF30-265D795				1200		150		795	300	260	216	220								M24
ZADF30-300D625				1550		120		625	238	205	168	170								M20
ZADF30-300D705	3,67	35	77	1360	150	135	300	705	268	230	190	195	246	120	195	140	455	120	12	M22
ZADF30-300D795				1200		150		795	300	260	216	220								M24
ZADF30-330D705				1360		135		705	268	230	190	195								M22
ZADF30-330D795	4,64	44,3	97,46	1200	170	150	330	795	300	260	216	220	278	135	205	140	480	120	12	M24

The parallel misalignment (mm) IS=Same to standard

Specify if normal type brake disc (DFP) or ventilated brake disc (DFV) when making the request.

On request we can supply couplings with different brake diameter and thickness.

On request we can supply couplings in ZCA version