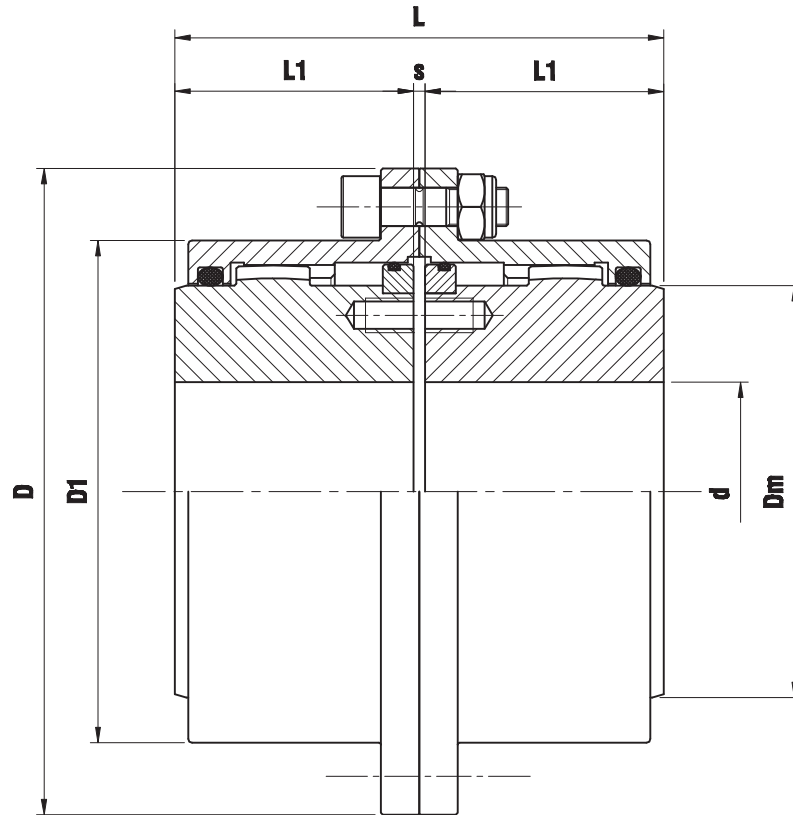


## ZPR series

Shear bolt coupling



TYPE	TECHNICAL DATA				CALIBRATION TORQUE OF SHEAR BOLTS			DIMENSIONS (mm)							
	$\frac{N}{n} = \frac{kW}{rpm}$	Torque (kNm)		Max Speed (rpm)	Torque (kNm)		Bolts Nr	K	d max	D	D1	Dm	L	L1	s
		Nominal	Peak		Min	Max									
ZPR-110N208P	0,19	1,82	4	6200	0,29	1,58	2	96	50	110	83	69	89	43	3
ZPR-110N308P					0,43	2,37	3								
ZPR-110N408P					0,58	3,16	4								
ZPR-142N210P	0,30	2,85	6,27	5270	0,50	1,28	2	122	60	142	105	85	103	50	3
ZPR-142N310P					0,98	3,94	3								
ZPR-142N410P					20,5	5,25	4								
ZPR-168N210P	0,59	5,6	12,32	4490	0,8	2,44	2	148	75	168	131	107	127	62	3
ZPR-168N310P					1,87	4,78	3								
ZPR-168N410P					3,58	8,06	4								
ZPR-200N212P	0,93	8,8	19,36	4010	2,15	4,85	2	178	95	200	159	133	157	76	5
ZPR-200N312P					3,23	8,98	3								
ZPR-200N412P					5,87	15	4								

## ZPR series

Shear bolt coupling

TYPE	TECHNICAL DATA				CALIBRATION TORQUE OF SHEAR BOLTS			DIMENSIONS (mm)							
	$\frac{N}{n} = \frac{kW}{rpm}$	Torque (kNm)		Max Speed (rpm)	Torque (kNm)		Bolts Nr	K	d max	D	D1	Dm	L	L1	s
		Nominal	Peak		Min	Max									
ZPR-225N212P	1,50	14,3	31,46	3870	2,46	6,82	2	203	110	225	184	152	185	90	5
ZPR-225N312P					3,68	10,25	3								
ZPR-225N412P					6,69	16,52	4								
ZPR-265N216P	2,41	23	50,6	3700	5,08	15,56	2	236	130	265	212	178	216	105	6
ZPR-265N316P					9,65	23,35	3								
ZPR-265N416P					11,9	35,72	4								
ZPR-300N216P	3,67	35	77	3200	5,82	17,8	2	270	150	300	246	209	246	120	6
ZPR-300N316P					11,03	26,7	3								
ZPR-300N416P					18,16	40,88	4								
ZPR-330N216P	4,64	44,3	97,46	2900	6,45	19,78	2	300	170	330	275	234	278	135	8
ZPR-330N316P					12,26	29,67	3								
ZPR-330N416P					20,18	45,4	4								
ZPR-370N218P	7,33	70	154	2580	9,13	28,85	2	335	190	370	307	254	308	150	8
ZPR-370N318P					16,9	43,28	3								
ZPR-370N418P					32,45	65,15	4								
ZPR-405N222P	8,80	84	184,8	2350	12,38	40,1	2	368	210	405	335	279	358	175	8
ZPR-405N322P					26,74	60,16	3								
ZPR-405N422P					48,53	99,05	4								
ZPR-440N222P	15,95	152,3	335	2170	13,45	43,6	2	400	230	440	367	305	388	190	8
ZPR-440N322P					29,06	65,4	3								
ZPR-440N422P					52,75	107,65	4								
ZPR-500N224P	21,34	203,8	448,3	1820	15,47	61,9	2	460	280	500	423	355	450	220	10
ZPR-500N324P					33,42	92,85	3								
ZPR-500N424P					60,66	149,8	4								

On request we can supply couplings in ZCA version with open bells.  
 Specify shear bolts setting torque when making the request.  
 We can supply bigger shear bolt coupling on request.